

Connections for PORT2 Interface Card with Pendant and/or Remote Breakout

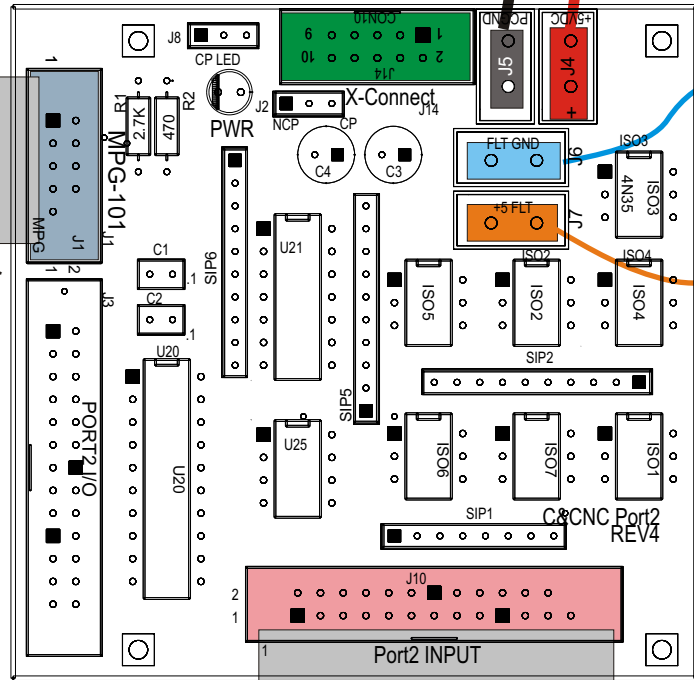
+5 can come from computer or supply with return tied to computer (PC) ground
 PC Referenced Ground
 +5VDC From PC ref source Required for all operation

When used with MINI-IO both voltages are supplied via the X-Connect Ribbon cable

To MPG101 Hand Controller

DB9 to 10pin IDC Header Cable

To Optional PORT2 Remote Breakout Card



5 V return from isolated source
 +5 from isolated source

NOTE: Isolated +5 can be derived from separate supply (wallplug, etc). Negative of supply is NOT connected to PC Ground

Use only if additional inputs are being used through PORT 2 I/O Connector. Optional Port 2 Remote Breakout required for interface (not included)

DB25 to 26 PIN IDC Header Cable

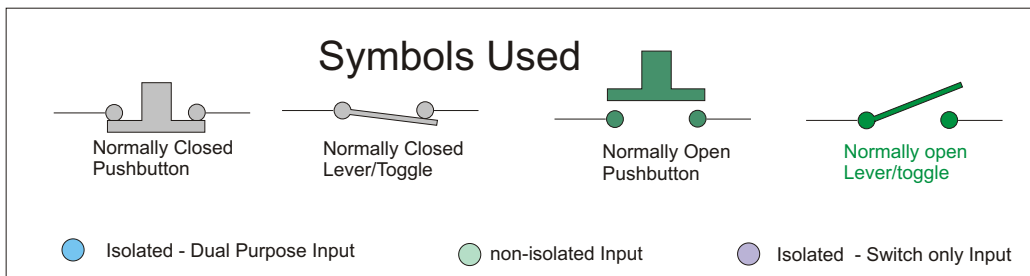
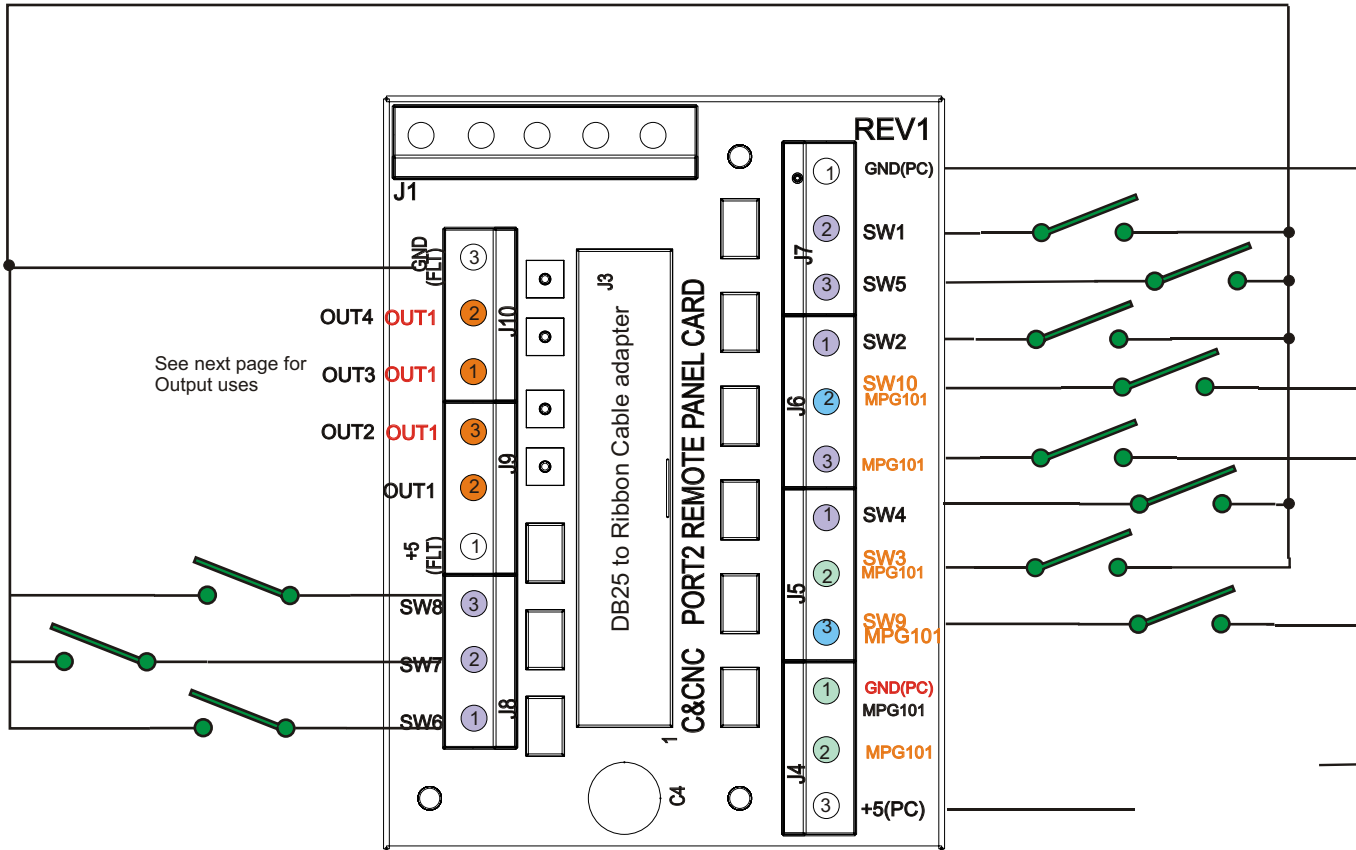
Use 25Pin Male to Male DB25 Extension cable for direct connect to Parallel Port on PC

TO PARALLEL PORT PLUG

OPTIONAL

MINI I/O Port 2 Remote Breakout Card. Used for switch inputs and remote panel interface.

NOTE: TEXT IN RED IS INCORRECT ON CARD SILKSCREEN. Correct name is in black. This sheet supercedes all REV1 cards



Note MPG inputs can be used as general purpose switch inputs but are not opto isolated
See pin listings for port mapping
Port 2 Breakout Card Plugs into PORT 2 I/O Connector via DB25 Cable