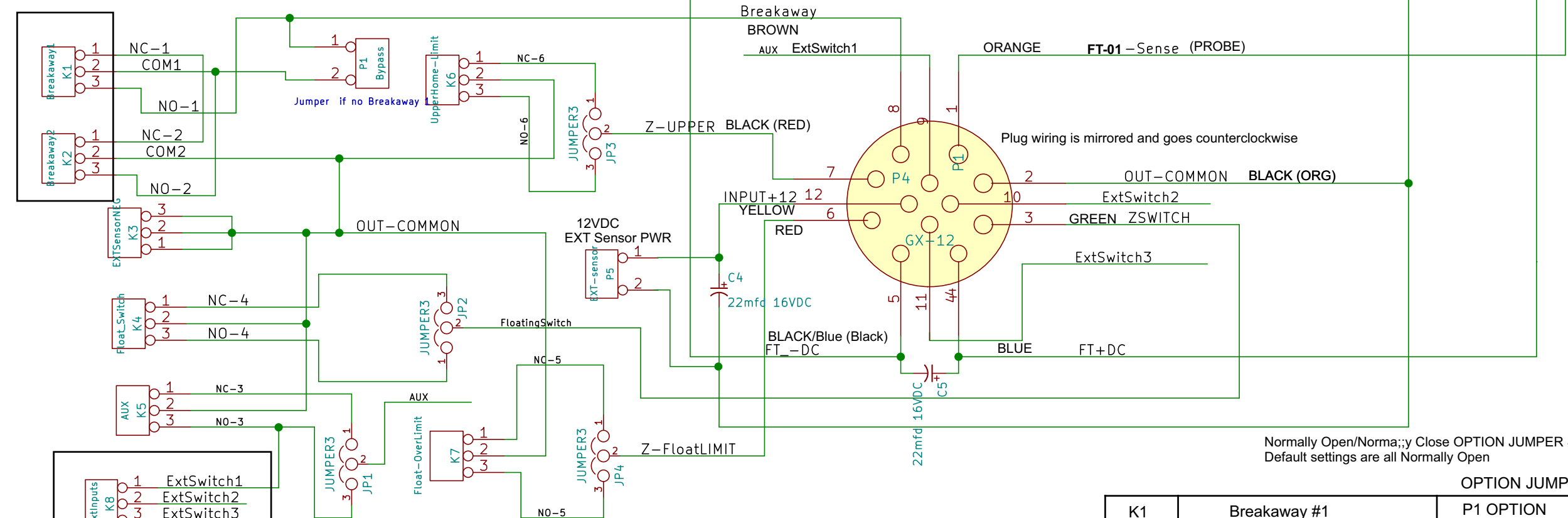
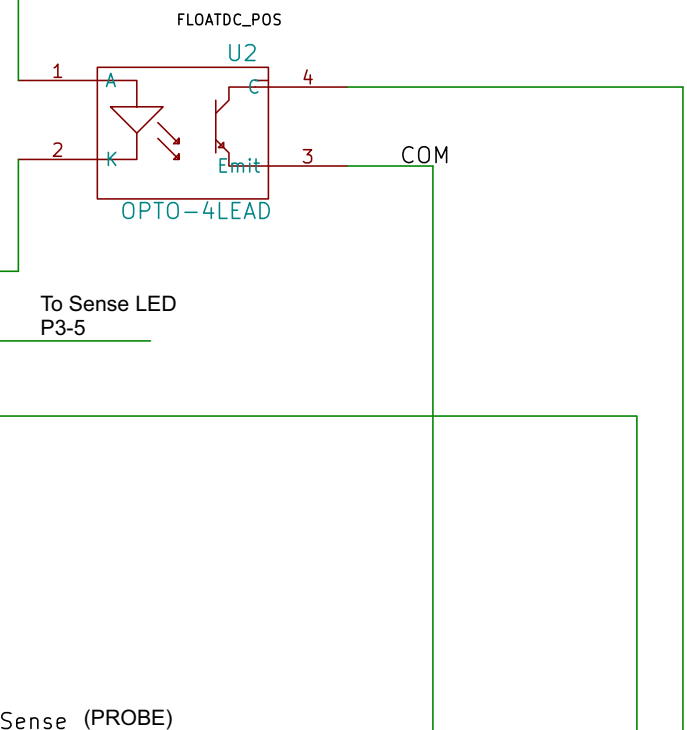
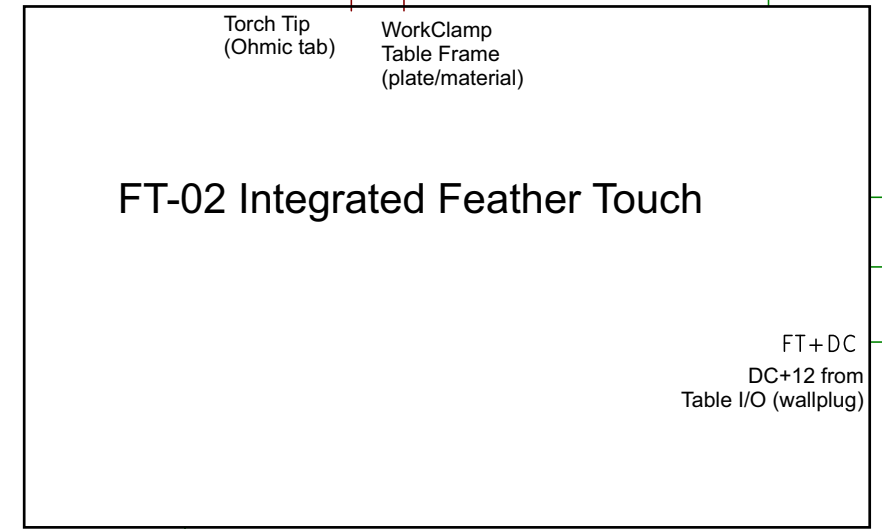
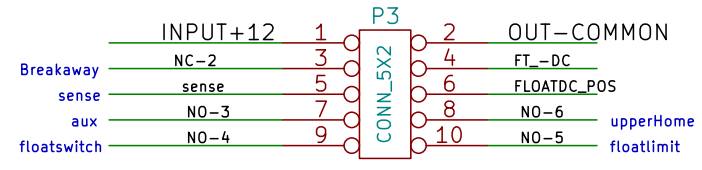
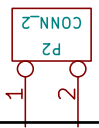


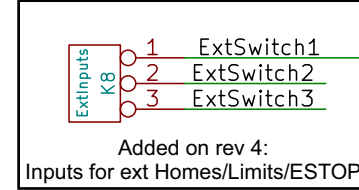
Torch connections



22mfd 16VDC
C4
22mfd 16VDC
C5

Plug wiring is mirrored and goes counterclockwise

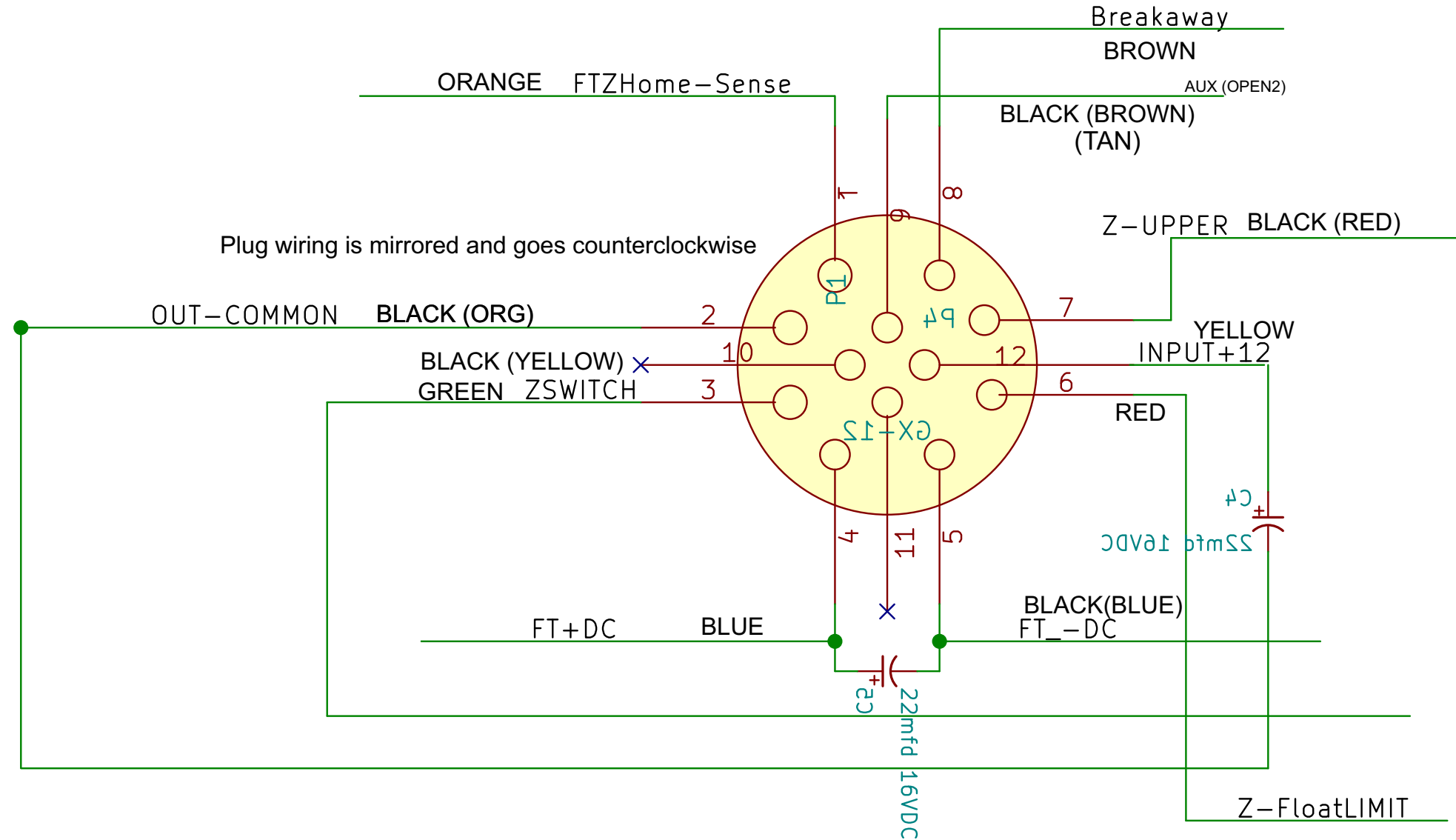
Normally Open/Normally Close OPTION JUMPER Settings
Default settings are all Normally Open



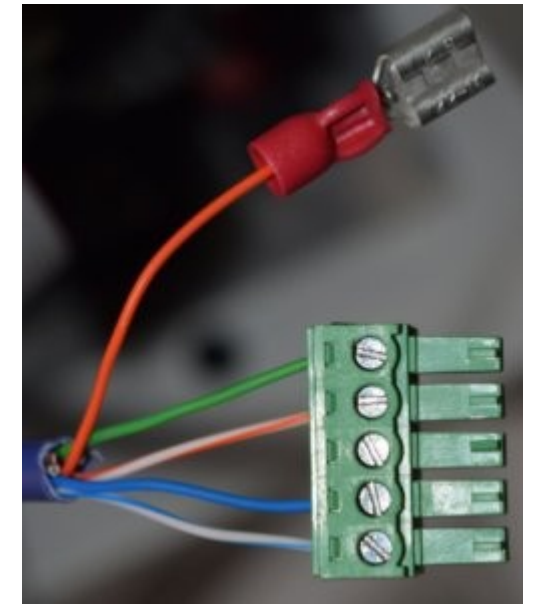
		OPTION JUMPER	SETTINGS
K1	Breakaway #1	P1 OPTION	Jumper if no switch
K2	Breakaway #2	NA	NC in series #1 to BAW
K3	EXTSwitches Common	NA	
K4	Z SWITCH / Touch off	JP2	1-2 (NO*) 2-3 (NC)
K8-1	AUX SWITCH	JP1	1-2 (NO*) 2-3 (NC)
K6	Upper Z Limit /home	JP3	1-2 (NO*) 2-3 (NC)
K7	Z Switch Overrun	JP4	1-2 (NO*) 2-3 (NC)
K8-2	ExtSwitch 2 Input	NA	
K8-3	ExtSwitch 3 Input	NA	
P5	EXTERNAL SENSOR PWR +	NA	

OLDER SUPER Z Prior to Feb 2018

Wire colors and signal names have changed after that date

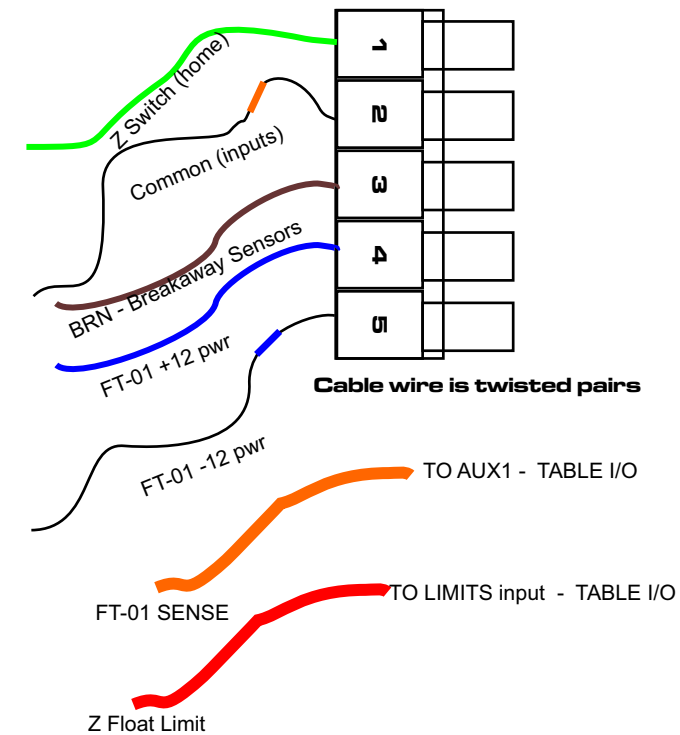


Old Cable wire colors

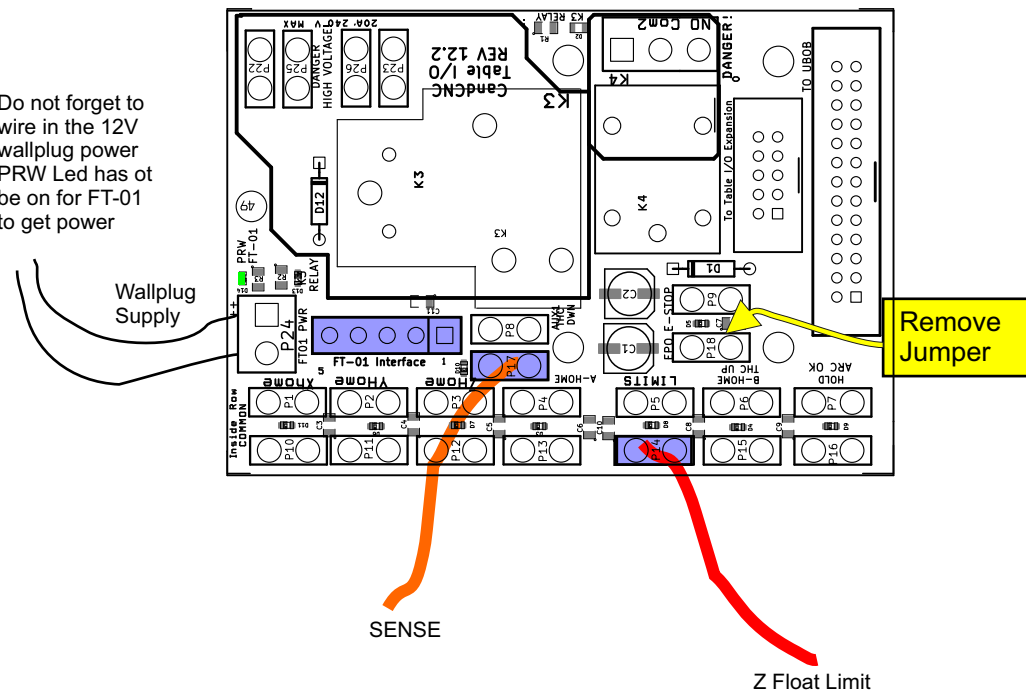


5 wide connector on Table I/O = 5W

NEW Connector wiring for SUPER Z cable .



Do not forget to wire in the 12V wallplug power PRW Led has to be on for FT-01 to get power

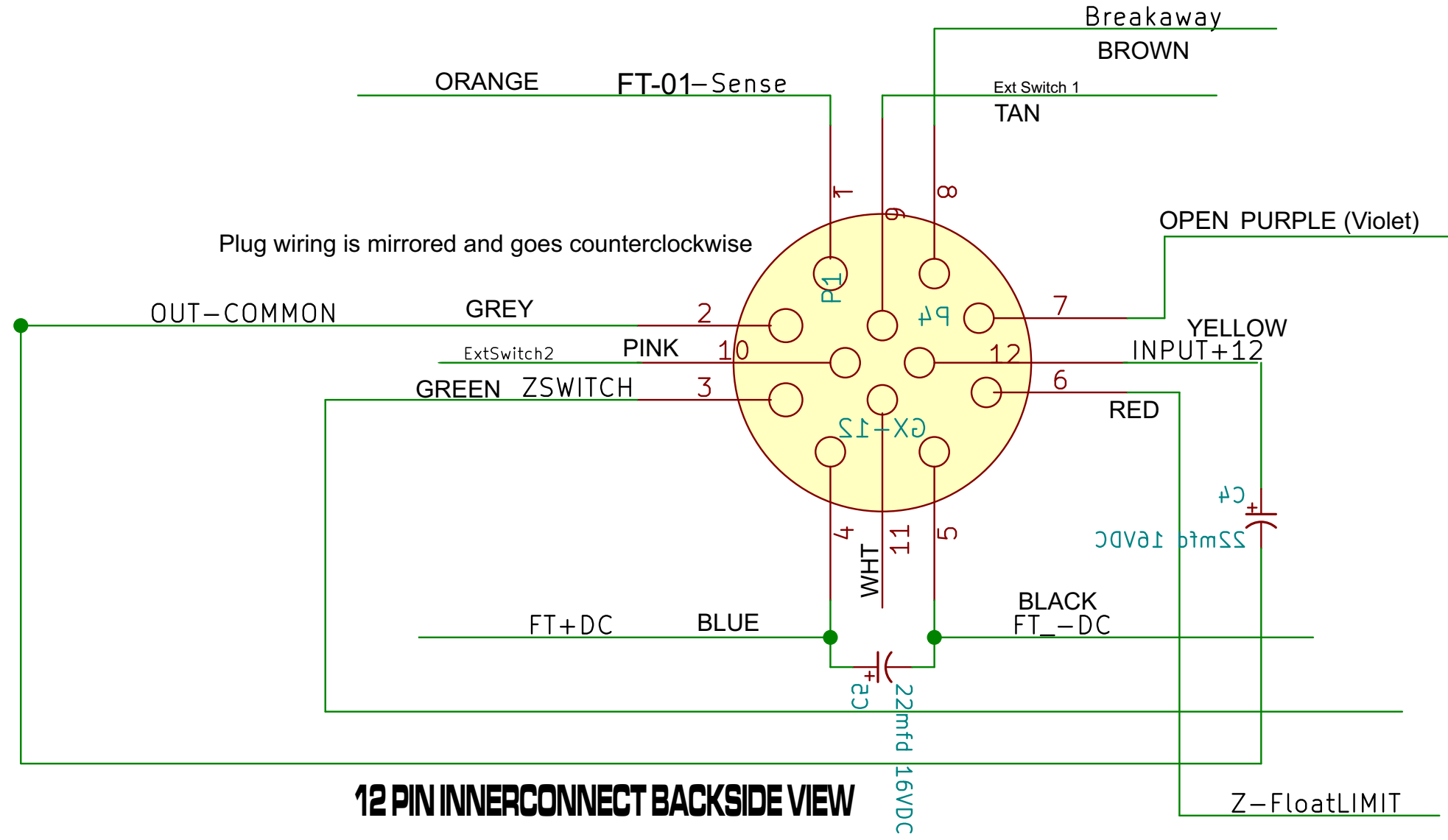


12 PIN INNERCONNECT BACKSIDE VIEW

PIN	FUNCTION	WIRE COLOR	TABLE I/O CON
1	SENSE OUT	ORANGE	AUX1 in
2	COMMON OUT	BLACK (ORG)	5W = 2
3	Z - SWITCH	GREEN	5W - 1
4	FeatherT + DC	BLUE	5W - 4
5	FeatherT - DC	BLACK (BLUE)	5W - 5
6	Z FLOAT LIMIT	RED	Limits IN
7	Z UPPER LIMIT (OPEN 1)	BLACK (RED)	Not used
8	BREAKAWAY	BROWN	5W - 3
9	OPEN 2	BLACK(BROWN)	Not Used
10	N/A	BLACK (YELLOW)	Not used
11	+12 Floating	YELLOW	Not Used
12	N/A	WHITE	Not Used

NOT USED : BLACK (WHITE) : BLACK (GREEN)

UPDATED WIRE COLORS (03/20/18)

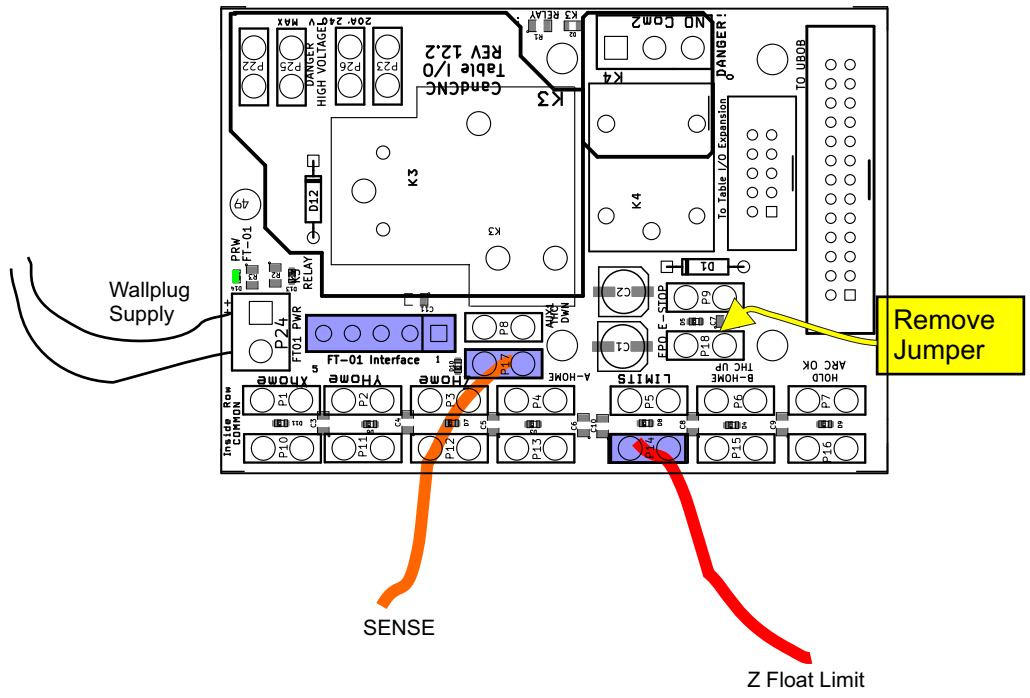
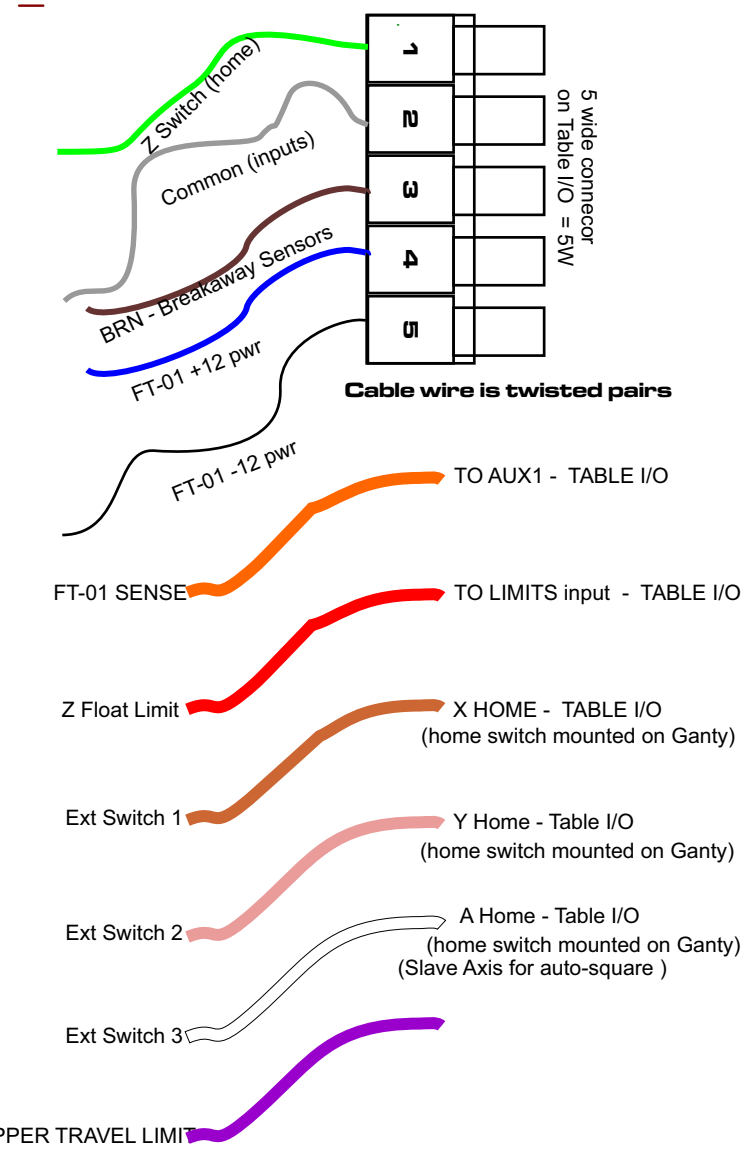


IMPORTANT

The cable wire colors have been changed

As if Jan 10th 2018 the Super Z axis is being wired with a different cable that has 12 different wire colors instead of pairs look at your cable end with the 5 wide green connector and you can determine if you have the new cable. Use the chart below to make the connections to the Table I/O/

NEW Connector wiring for SUPER Z cable .

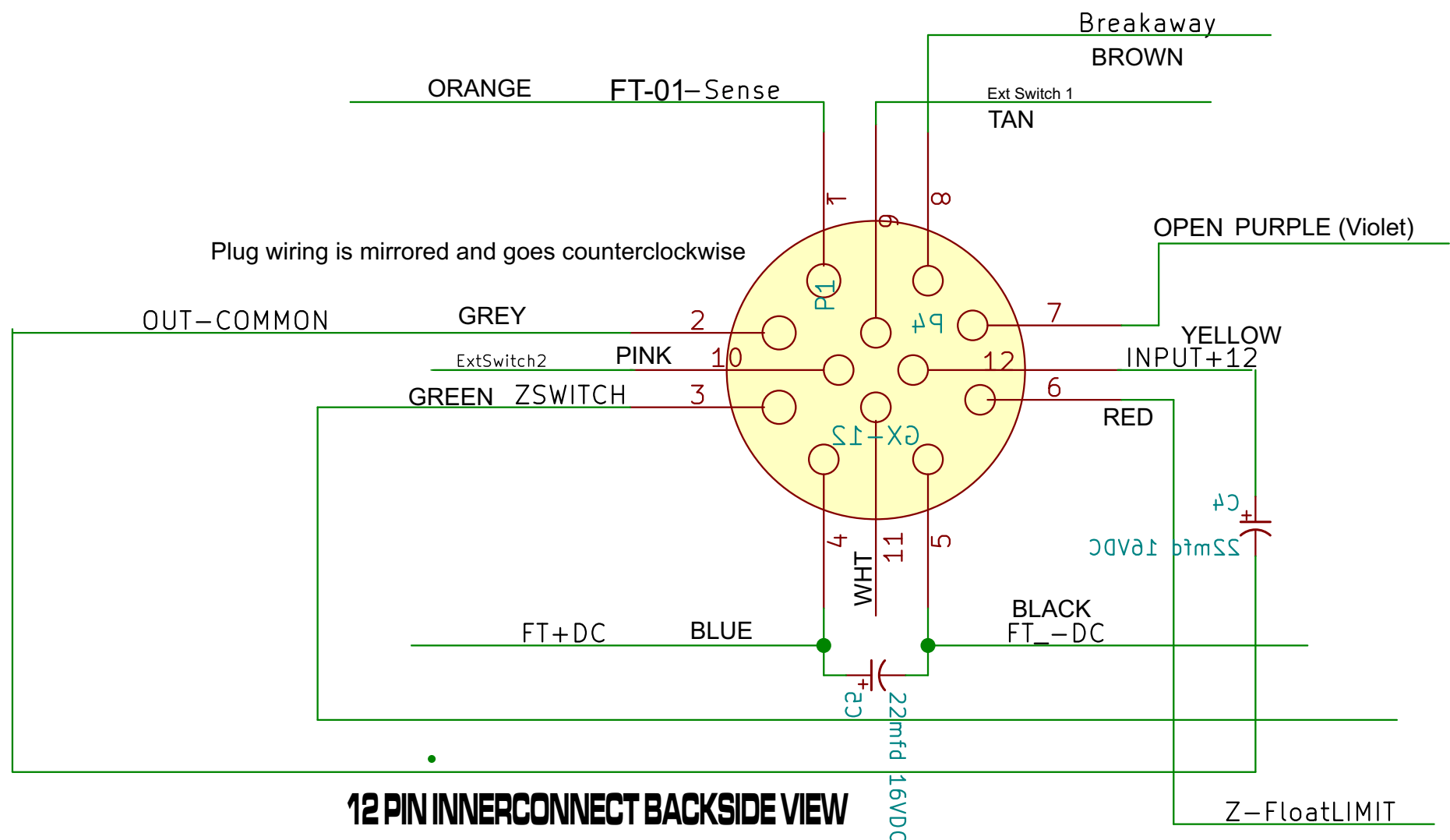


NEW WIRE COLORS AFTER FEB 1 st 2018

PIN	FUNCTION	WIRE COLOR	TABLE I/O CON
1	SENSE OUT (FTP-02)	ORANGE	AUX1 in
2	COMMON OUT	GREY	5W = 2
3	Z - SWITCH	GREEN	5W - 1
4	FeatherT + DC	BLUE	5W - 4
5	FeatherT - DC	BLACK	5W - 5
6	Z FLOAT LIMIT	RED	Limits IN
7	Z UPPER TRAVEL LIMIT	PURPLE(Violet)	Z home (alternate)
8	BREAKAWAY	BROWN	5W - 3
9	Ext Switch 1	TAN	X Home (alt)
10	ExtSwitch2	PINK	Y Home (alt)
11	Ext Switch 3	WHITE	A Home (alt)
12	+12 Ext Sensor Pwr	YELLOW	

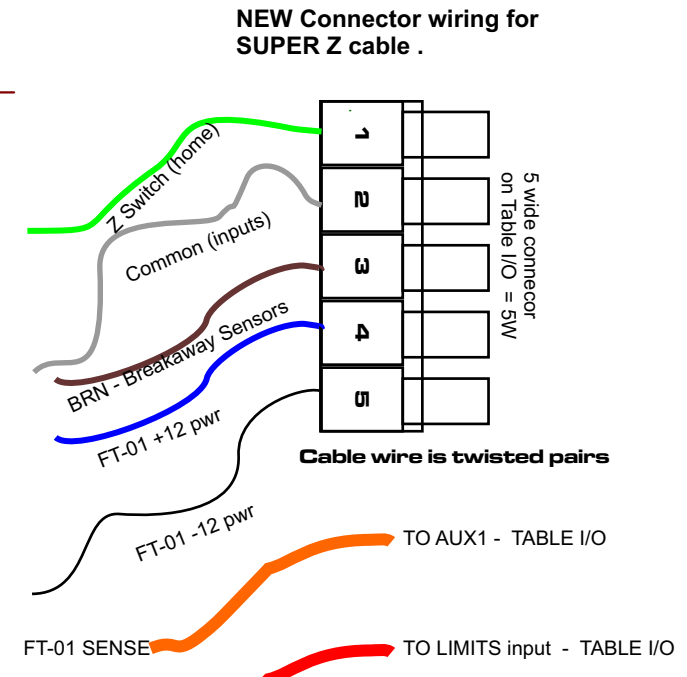
NOT USED : BLACK (WHITE) : BLACK (GREEN)

UPDATED WIRE COLORS (03/20/18)

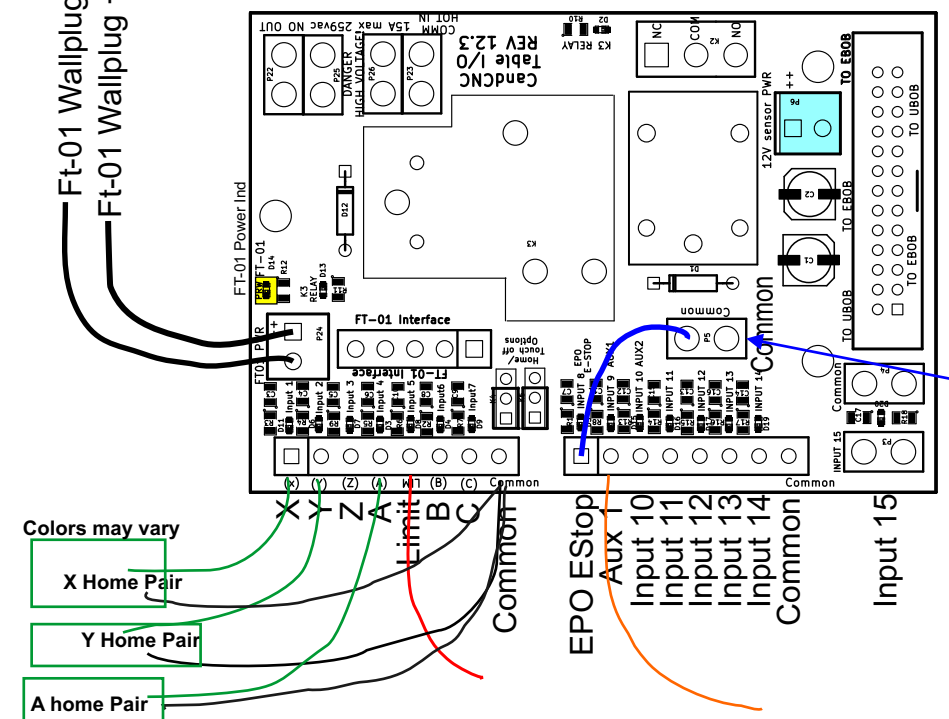


IMPORTANT
The cable wire colors have been changed

As if Jan 10th 2018 the Super Z axis is being wired with a different cable that has 12 different wire colors instead of pairs look at your cable end with the 5 wide green connector and you can determine if you have the new cable. Use the chart below to make the connections to the Table I/O/



Ft-01 Wallplug -12 vdc
Ft-01 Wallplug +12 vdc



12 PIN INNERCONNECT BACKSIDE VIEW

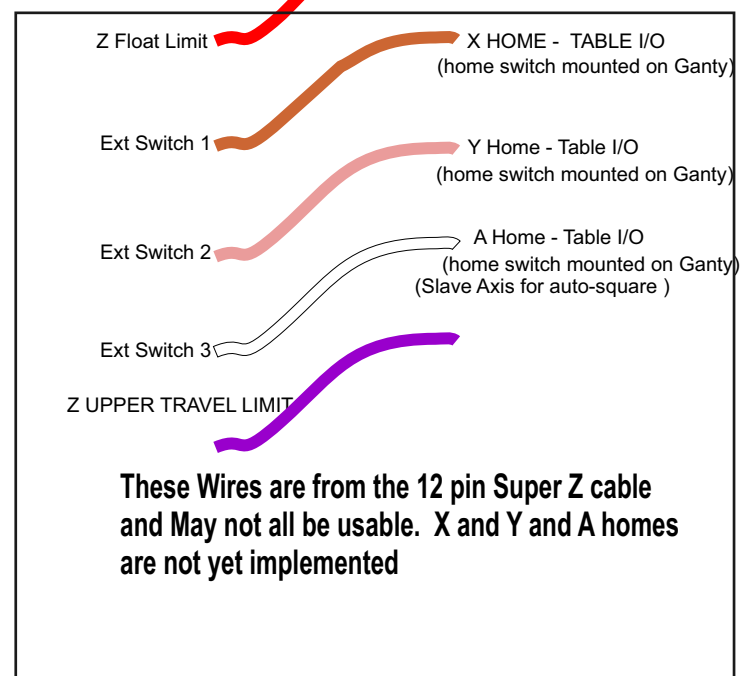
Table I/O REV 12.5 (new rev) Wiring for AC

NOTE Blue Jumper to from Common to EPO Should be OFF if Super Z not used . This has to be in place to come out of e-stop on a unit with NO external E-stop of the breakaway

NEW WIRE COLORS AFTER FEB 1 st 2018

PIN	FUNCTION	WIRE COLOR	TABLE I/O CON
1	SENSE OUT (FTP-02)	ORANGE	AUX1 in
2	COMMON OUT	GREY	5W = 2
3	Z - SWITCH	GREEN	5W - 1
4	FeatherT + DC	BLUE	5W - 4
5	FeatherT - DC	BLACK	5W - 5
6	Z FLOAT LIMIT	RED	Limits IN
7	Z UPPER TRAVEL LIMIT	PURPLE(Violet)	Z home (alternate)
8	BREAKAWAY	BROWN	5W - 3
9	Ext Switch 1	TAN	X Home (alt)
10	ExtSwitch2	PINK	Y Home (alt)
11	Ext Switch 3	WHITE	A Home (alt)
12	+12 Ext Sensor Pwr	YELLOW	

NOT USED : BLACK (WHITE) : BLACK (GREEN)

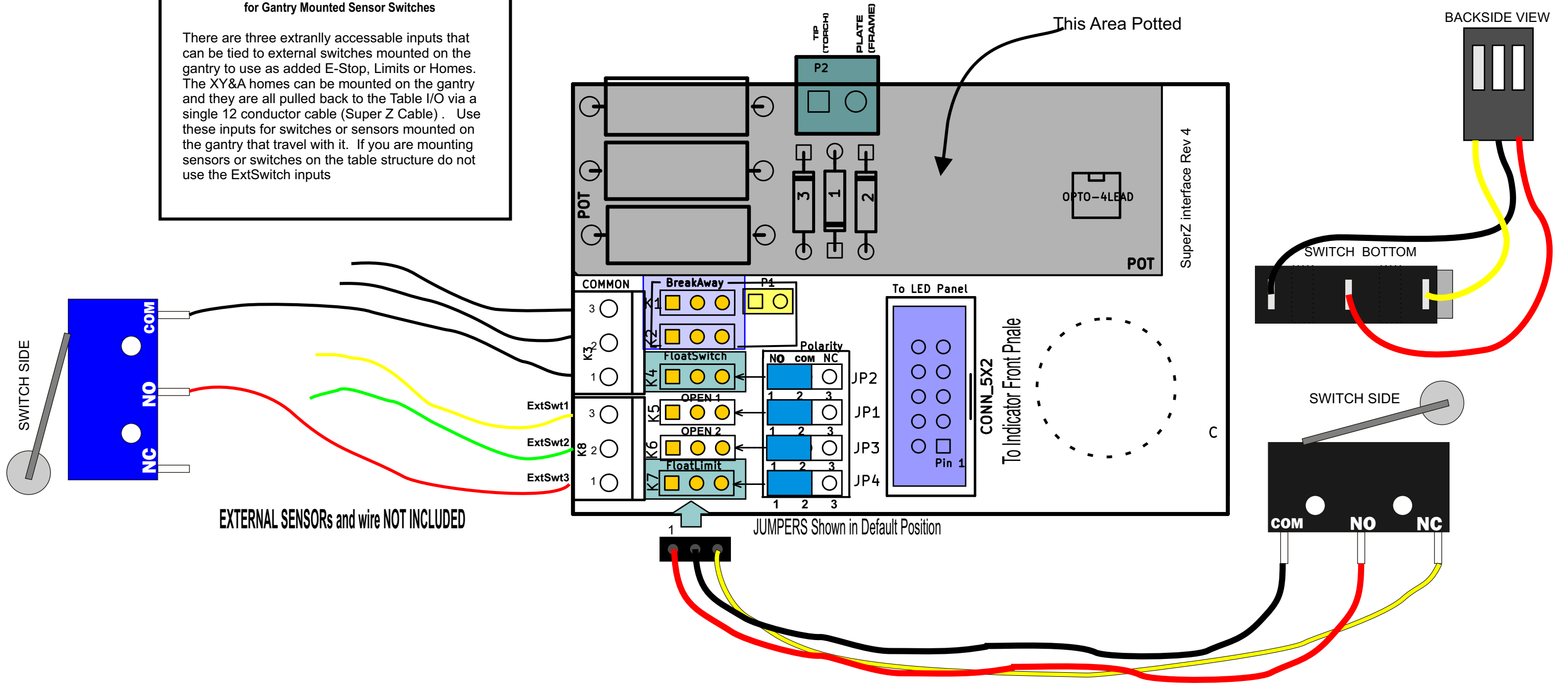


NOTES:

- 1 . P1 Jumper allows the use of a single breakaway switch
When jumpered it makes Bypasses K1 and makes K2 the primary switch
When using a single switch connect it to K2 and use the jumper P1
2. To make any of the other switches Normally Closed (NC) then move the jumper JP1 - JP4 from the default 1-2 pins to the 2-3 pins.

**OPTIONAL INPUTS
for Gantry Mounted Sensor Switches**

There are three extranly accessible inputs that can be tied to external switches mounted on the gantry to use as added E-Stop, Limits or Homes. The XY&A homes can be mounted on the gantry and they are all pulled back to the Table I/O via a single 12 conductor cable (Super Z Cable) . Use these inputs for switches or sensors mounted on the gantry that travel with it. If you are mounting sensors or switches on the table structure do not use the ExtSwitch inputs



EXTERNAL SENSORs and wire NOT INCLUDED

JUMPERS Shown in Default Position

This Area Potted

BACKSIDE VIEW

SWITCH SIDE

SWITCH SIDE

SWITCH BOTTOM

SuperZ interface Rev 4

To Indicator Front Pnaile

To LED Panel

Polarity
NO com NC

COMMON
K7
K6
K5
K4
K3

ExtSw1
ExtSw2
ExtSw3

OPTO-4LEAD

TIP (TORCH)
PLATE (FRAME)
P2

POT

CONN_5X2

JP2
JP1
JP3
JP4

1

COM NO NC