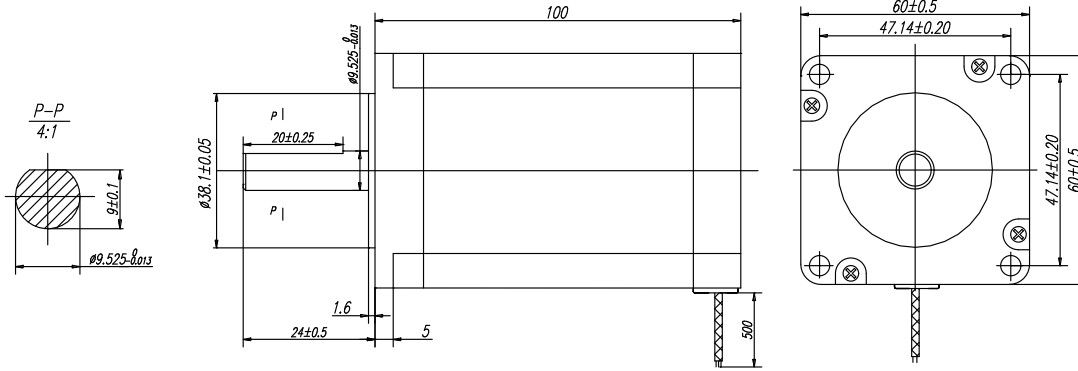


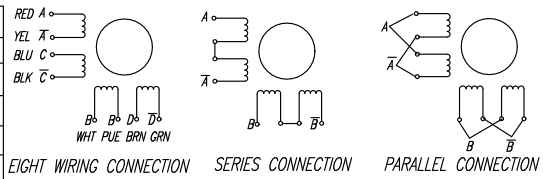
DIMENSIONS



SPECIFICATIONS unit=mm

COLORS OF LEAD WIRES BIPOLAR & UNI-POLAR

CONNECTION WISE	EIGHT WIRING	SERIES CONNECTION	PARALLEL CONNECTION
PHASE	2 PHASE	2 PHASE	2 PHASE
STEP ANGLE	1.8±5% °/STEP	1.8±5% °/STEP	1.8±5% °/STEP
VOLTAGE	3 V	4.2 V	2.1 V
CURRENT	5 A/PHASE	3.5 A/PHASE	7.0 A/PHASE
RESISTANCE	0.6 ±10% Ω/PHASE	1.2±10% Ω/PHASE	0.3 ±10% Ω/PHASE
INDUCTANCE	1.6 ±20% mH/PHASE	6.4±20% mH/PHASE	1.6 ±20% mH/PHASE
HOLDING TORQUE	352 N.cm	440 N.cm	440 N.cm
INSULATION CLASS	B	B	B
LEAD STYLE	FF46-1/0.5	FF46-1/0.5	FF46-1/0.5
NO. OF LEADS	8	4	4



60HS100DE06B

REX MACHINE INDUSTRIES

DESIGN	PLACE	CHANGE	NAME	DATE	DESIGN				
CHECK			STZ						
PROC			APPROV						