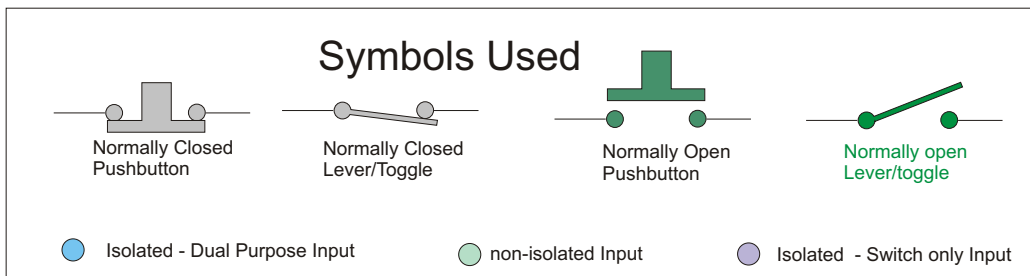
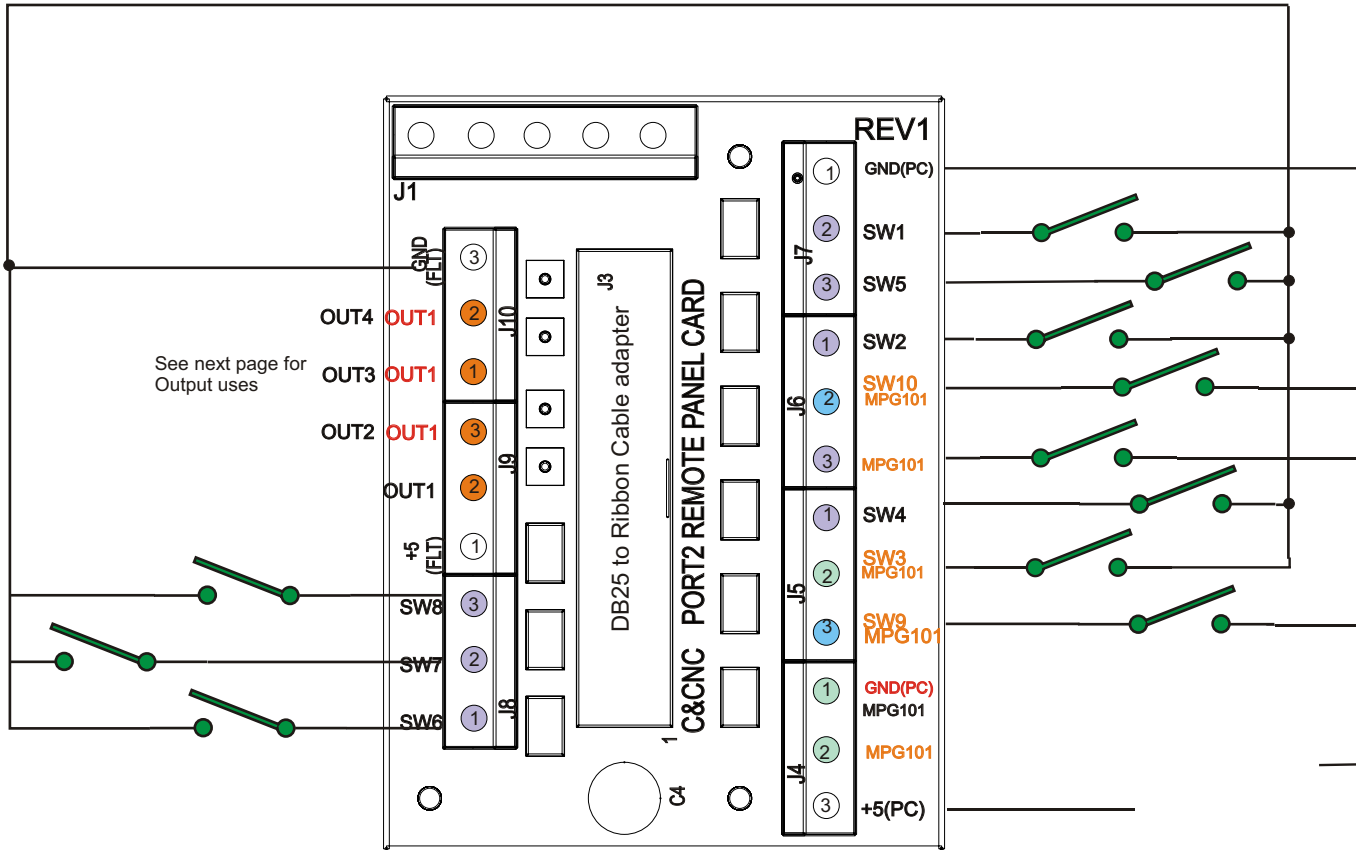




# OPTIONAL

## MINI I/O Port 2 Remote Breakout Card. Used for switch inputs and remote panel interface.

NOTE: TEXT IN RED IS INCORRECT ON CARD SILKSCREEN. Correct name is in black. This sheet supercedes all REV1 cards



Note MPG inputs can be used as general purpose switch inputs but are not opto isolated  
See pin listings for port mapping  
Port 2 Breakout Card Plugs into PORT 2 I/O Connector via DB25 Cable